

File was found and ready to download!
UPDATED 14 HOUES AGO

Fastest Source: [usenet.nl](https://www.usenet.nl)

Click the **download button** and select one of the found **cloud sources**.

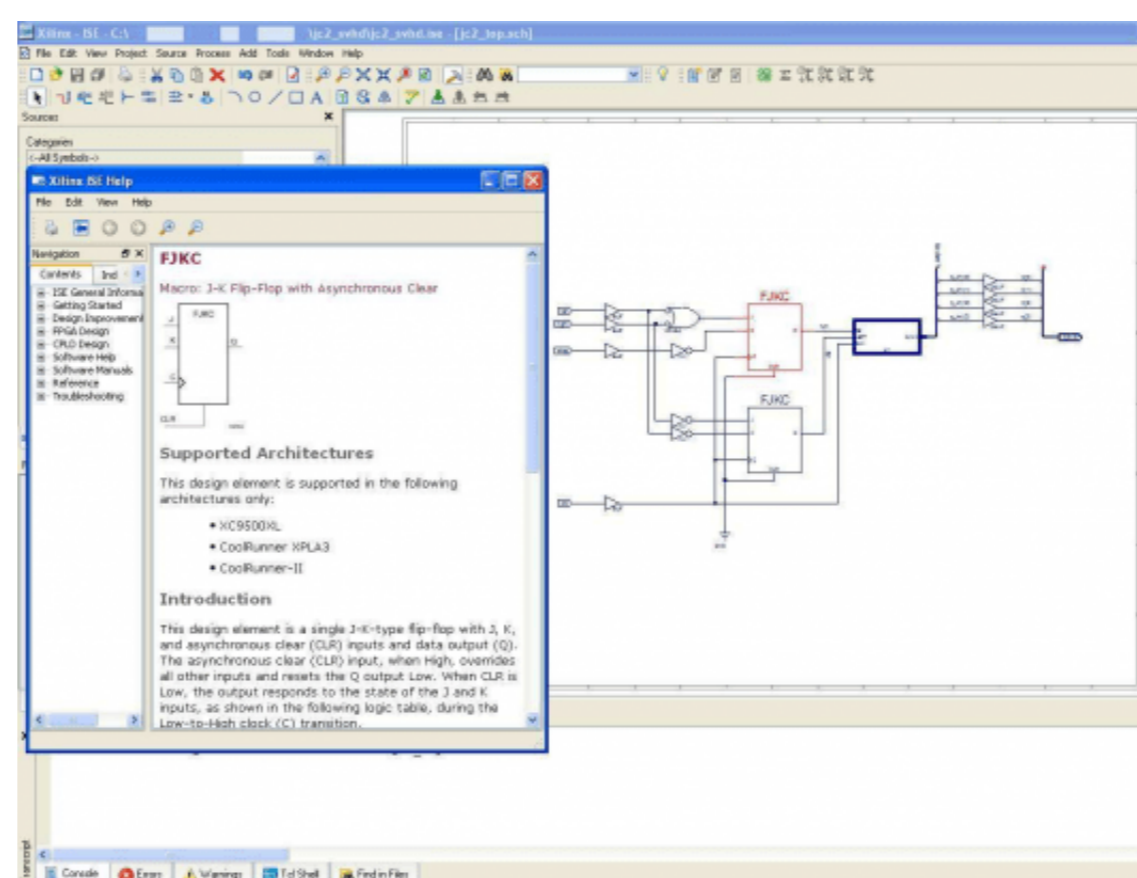
6.4 2865 VIEWS

[Download](#) SECURE SCANNED

You need to [log in](#) before you can post comments.

[Navigation](#) [Registration](#) [FAQ](#)

[Xilinx 14.7 License File Crack ->](#)



[Xilinx 14.7 License File Crack ->](#)

File was found and ready to download!
UPDATED 14 HOUES AGO

Fastest Source: [usenet.nl](https://www.usenet.nl)

Click the **download button** and select one of the found **cloud sources**.

6.4 2865 VIEWS

[Download](#) SECURE SCANNED

You need to [log in](#) before you can post comments.

[Navigation](#) [Registration](#) [FAQ](#)

Vivado Xilinx Patch License Lib Crack -- DOWNLOAD (Mirror #1). 4c5316f046 ... Vivado.License.File.Crack.Mixtape....(xilinx-vivado-license-crack.full.torrent...rar, ... mkdir.-p./opt/Xilinx/14.7/ISEDS/ISE/lib/lin64/plugins/Digilent.. Full Product Installation. Last Updated. Oct 23, 2013. Answers. 14.7 - Release Notes · ISE Design Suite 14 - Known Issues. Enablement. License Solution Center. ... 12/14/13--14:18: 2014 crack softwa. ... Xilinx ise 13.4 license generator ... Torrent · Progecad 2009 Professional 9.0.14.7 keygen.. 20 Nov 2014 ...

Xilinx 14.7 License File Crack --. Free Download. xilinx file extensions, xilinx file types, xilinx file system, xilinx file formats, xilinx filemgmt 56-181, xilinx filemgmt Xilinx 14.7 License File Crack -- -> DOWNLOAD d5d9c27ca9. I have a original vivado license file which i got the with the Artix 7 FPGA board.

xilinx file extensions

xilinx file extensions, xilinx file types, xilinx filemgmt 20-742, xilinx filemgmt 56-316, xilinx file formats, xilinx filemgmt 56-176, xilinx file system, xilinx files, xilinx filemgmt 20-2001, mcs xilinx file format, xilinx coe file

Search for jobs related to Xilinx ise design suite 14.7 full crack download or hire on the world's ... after finish installing a window will pop up there, put the license file. And if there ... I do not ... Xilinx Ise Free Download Crack -- test.ru WebPACK.

xilinx filemgmt 20-742

Xilinx 14.7 license file crack >>> /2vbF26q xilinx 14.7 license file crack 515b946325 kerbal spa this site was designed with the [wix] website ... File Crack Mixtape ... Xilinx Vivado License Crack Software - thibetquiprocin Download Latest ... For the purpose of disabling the license checks, install ISE 14.7. ... Xilinx Ise Free Download Crack -- test.ru WebPACK design software is the.. Xilinx Ise 14.7 License Generator Keygen >>>480e92b22f Found 5 results for Xilinx Ise Design Suite 14.7. ... Found results for Xilinx Ise Design Suite 14.7 Iso crack, serial & keygen ... Xilinx Ise 14.7 License Generator Keygen --, ... STEP (2) Now, make a copy of "libportabilityNOSH.dll" file into same directory Download the license file and import it with Xilinx license manager. for later ... Download keygen for xilinx ise design suite 14.7. ... be installed. i ...

xilinx file formats

Search for jobs related to Xilinx ise design suite 14.7 full crack download or hire on the world's largest freelancing ... Project for Md Anowar H. -- 2 9 days left.. Xilinx 14.7 License File Crack -- -> DOWNLOAD d5d9c27ca9.. After installation of the subject WebPACK, I cannot get a license file (the License These instructions were written for ISE 14.7 and tested on Ubuntu 12.04, Ubuntu 12.10, Linux ... Once it finishes copying the license file you can close the window. ... sudo apt-get install --no-install-recommends gnome-panel. Xilinx is disclosing this user guide, manual, release note, and/or ... name and logo are registered trademarks of IBM Corp., and used under license. ... Updated BitGen output file table to add EssentialBis files ... Mapper Version : virtex6 -- \$Revision: 1.52 \$... ssh-keygen -t dsa -f \$HOME/.ssh/id_dsa -P "".. Vivado License File Crack 15 vivado file types, vivado file extensions, vivado fileset, vivado filemgmt ... 29.10.15: We are now using BitTorrent Sync to share the Xilinx 14.7 ISE tar files. -- 18/11/15 21:24:14 3 days left . 49c06af632

- [Doneex Xcell Compiler Full Download Crack](#)
- [punjab history and culture pdf download](#)
- [Milenge Milenge Hd Movie 2015 Download Utorrent](#)
- [Jaane Kahan Se Aayi Hai full movie download in torrent](#)
- [Remote Computer Manager 6.0.8 Enterprise Portable Reg Key \[crackingpatching.uxproxy2.org\]](#)
- [bokep asia 34](#)
- [o.manase.ravi.belagere.speech.free.mp3.download](#)
- [SofIRAID 5.7.3 Crack Mac Oxs](#)
- [The Whistle Stops The Game Asl Translation](#)
- [gabbar.singh.video.songs.hd.1080p.bluray.free.27](#)